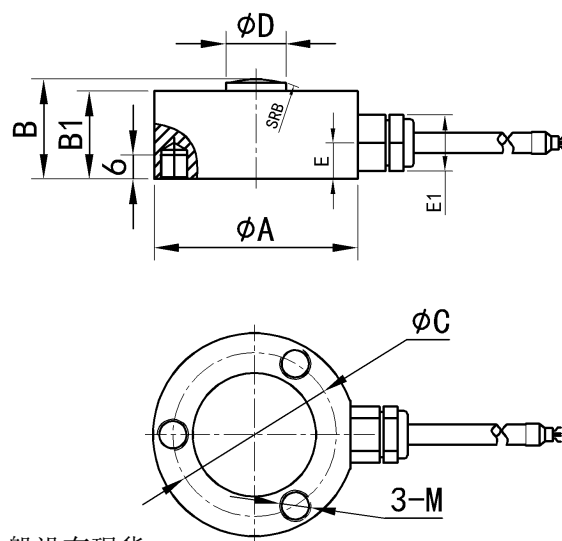


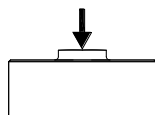
压向力传感器/Force sensor

型号: F19Y



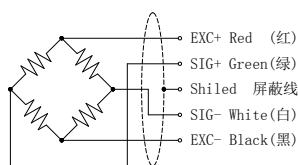
此款产品一般没有现货

●受力方式 / Load Direction



量程 CAP (N)	A	B	B1	C	D	SRB	E	E1	M
50/100/200/300/500	25	16	14	19	8	10	6	9	M4
1K/2K/3K/10K/	32	16	14	25.4	12	16	5.3	9	M5
20K/30K/50K	38	16	14	30	12	20	5.2	9	M6
60K/100K/120K	51	25	22	41	20	30	12	14	M8

●接线图/ Schematic Wiring Diagram



●参数/Specifications:

输出灵敏度 Rated output	1.5±10% mV / V	输出电阻 Output impedance	350/700±10Ω
零点输出 Zero balance	± 2% F. S.	绝缘电阻 Insulation	≥5000MΩ/100VDC
非线性 Non-linearity	0.50% F. S.	激励电压 Recommended excitation	5~10V
滞后 Hysteresis	0.50% F. S.	最大激励电压 Maximum excitation 15 V	15V
重复性 Repeatability	0.50 % F. S.	温度补偿范围 Compensated temp range	- 10 ~ 60 °C
蠕变 (30 分钟) Creep (30min)	0.10 % F. S.	工作温度范围 Operation temp range	- 20 ~ 80°C
温度灵敏度漂移 Temp.effect on output	0.05 % F. S. / 10°C	安全超载 Safe overload	120% F. S.
零点温度漂移 Temp.effect on zero	0.05 % F. S. / 10°C	极限超载 Ultimate overload	150 % F. S.
输入电阻 Input impedance	385/780±20Ω	防护等级 Protection class	IP66

●材料:不锈钢 Material: stainless steel

●特点 :自带压头、有大量程可选、变形量小、重复性好、响应速度快、受力方式为压向。

●用途:一般用于工业领域的测试、测量及控制系统等。如: 3C 产品测试、自动化组装、冷热压机压力检测、新能源产品组装、轴压装、医疗检测、机器人领域等。

●Self-contained indenter, large range of options, small deformation, good repeatability, fast response, and the way of stress is pressure.

●It is generally used in industrial testing, measurement and control systems. Such as: 3C product testing, automated assembly, hot and cold press pressure testing, new energy product assembly, shaft press, medical testing, robotics, etc.