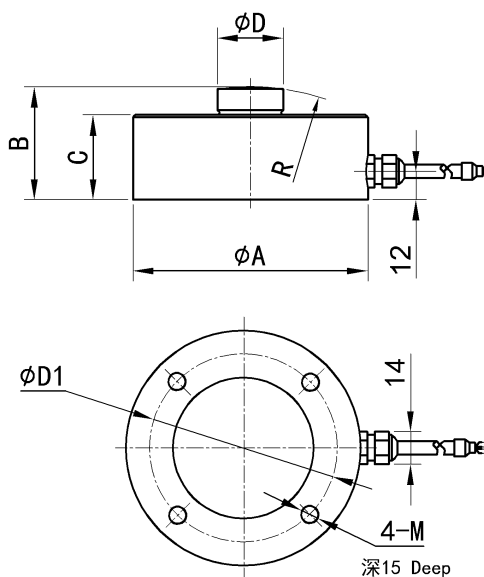


压向力传感器/Force sensor

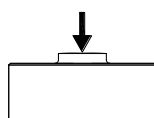
型号: F18Y



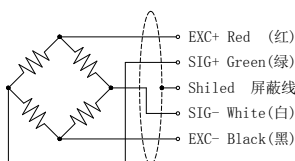
●量程 kN / CAP: 5/10/20/30/50/100/150kN
200/300/500/1000kN

量程 CAP (Kn)	A	B	C	D	D1	R	M
5/10/20/50/100	82	44	32	22	68	50	M8
150/200	100	48	36	28	88	100	M8
300	126	54	40	35	101	150	M10
500/1000	165	80	62	60	144	150	M10

●受力方式 / Load Direction



●接线图/ Schematic Wiring Diagram



●参数/Specifications:

输出灵敏度 Rated output	1.5±10% mV / V	输出电阻 Output impedance	350/700±10Ω
零点输出 Zero balance	± 1 % F.S.	绝缘电阻 Insulation	≥5000MΩ/100VDC
非线性 Non-linearity	0.05% F.S.	激励电压 Recommended excitation	5~15V
滞后 Hysteresis	0.05% F.S.	最大激励电压 Maximum excitation 15 V	20V
重复性 Repeatability	0.05 % F.S.	温度补偿范围 Compensated temp range	- 10 ~ 60 °C
蠕变 (30 分钟) Creep (30min)	0.05 % F.S.	工作温度范围 Operation temp range	- 20 ~ 80°C
温度灵敏度漂移 Temp.effect on output	0.03 % F.S. / 10°C	安全超载 Safe overload	120% F.S.
零点温度漂移 Temp.effect on zero	0.03 % F.S. / 10°C	极限超载 Ultimate overload	150 % F.S.
输入电阻 Input impedance	385/780±20Ω	防护等级 Protection class	IP67

●材料:不锈钢 Material: stainless steel

●特点: 自带压头、有大量程可选、变形量小、重复性好、响应速度快、受力方式为压向。

●用途: 一般用于工业领域的测试、测量及控制系统等。如: 3C 产品测试、自动化组装、冷热压机压力检测、新能源产品组装、轴压装、医疗检测、机器人领域等。

●Self-contained indenter, large range of options, small deformation, good repeatability, fast response, and the way of stress is pressure.

● It is generally used in industrial testing, measurement and control systems. Such as: 3C product testing, automated assembly, hot and cold press pressure testing, new energy product assembly, shaft press, medical testing, robotics, etc.