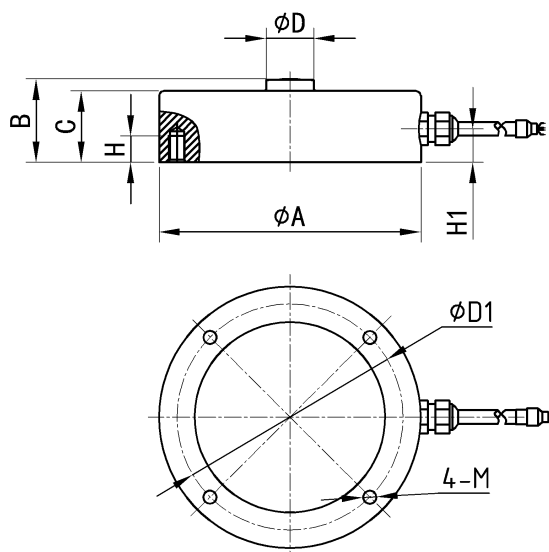


压向力传感器/Force sensor

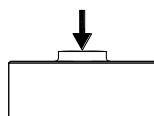
型号: F17Y



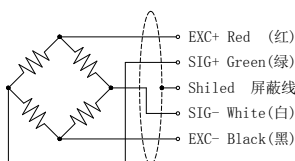
●量程 kN / CAP: 25/50/100/250/500kN

量程 CAP (Kn)	A	B	C	D	D1	H	H1	M
25	65	25	21	10	54.2	8	9	M5
50	110	35	30	20	95	12	14	M6
100	125	40	35	20	105	12	14	M6
250	135	60	50	32	115	20	14	M12
500	175	65	53	45	145	20	14	M12

●受力方式 / Load Direction



●接线图/ Schematic Wiring Diagram



●参数/Specifications:

输出灵敏度 Rated output	2.0 ± 1% mV / V	输出电阻 Output impedance	350/700 ± 10 Ω
零点输出 Zero balance	± 1% F. S.	绝缘电阻 Insulation	≥ 5000 MΩ / 100VDC
非线性 Non-linearity	0.05% F. S.	激励电压 Recommended excitation	5~10V
滞后 Hysteresis	0.03% F. S.	最大激励电压 Maximum excitation 15 V	15V
重复性 Repeatability	0.02 % F. S.	温度补偿范围 Compensated temp range	- 10 ~ 60 °C
蠕变 (30 分钟) Creep (30min)	0.02 % F. S.	工作温度范围 Operation temp range	- 20 ~ 80°C
温度灵敏度漂移 Temp.effect on output	0.05 % F. S. / 10°C	安全超载 Safe overload	120% F. S.
零点温度漂移 Temp.effect on zero	0.05 % F. S. / 10°C	极限超载 Ultimate overload	150 % F. S.
输入电阻 Input impedance	385/780 ± 20 Ω	防护等级 Protection class	IP67

●材料: 不锈钢 Material: stainless steel

●特点: 自带压头、有大量程可选、变形量小、重复性好、响应速度快、受力方式为压向。

●用途: 一般用于工业领域的测试、测量及控制系统等。如: 3C 产品测试、自动化组装、冷热压机压力检测、新能源产品组装、轴压装、医疗检测、机器人领域等。

● Self-contained indenter, large range of options, small deformation, good repeatability, fast response, and the way of stress is pressure.

● It is generally used in industrial testing, measurement and control systems. Such as: 3C product testing, automated assembly, hot and cold press pressure testing, new energy product assembly, shaft press, medical testing, robotics, etc.